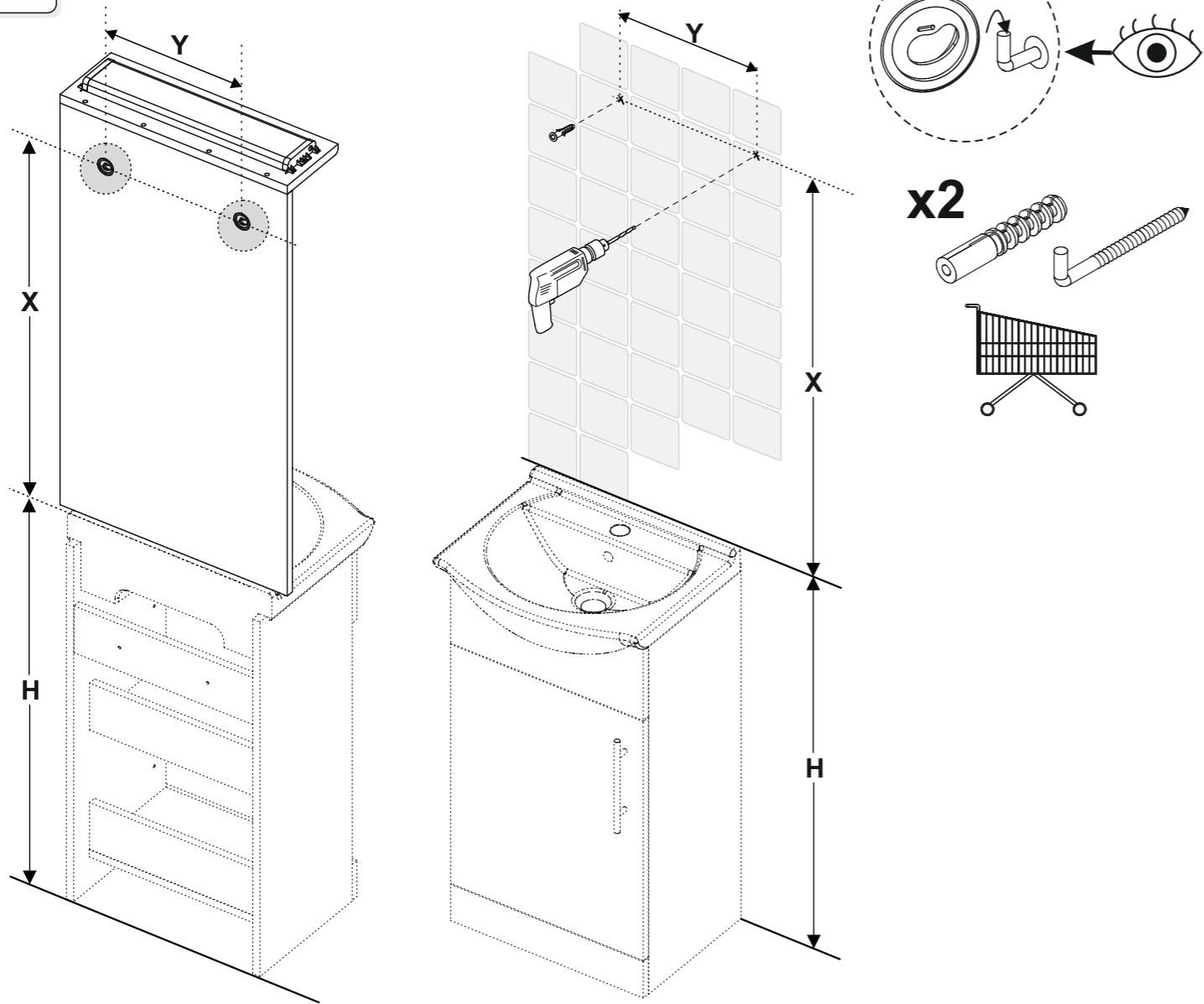
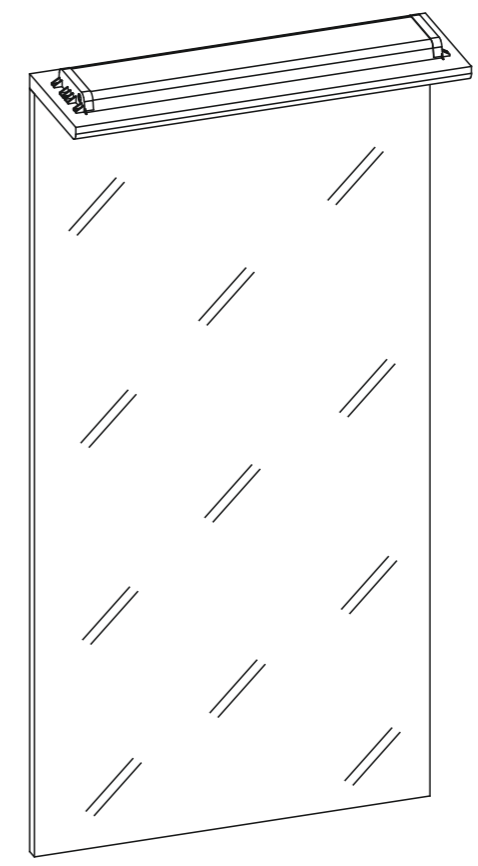


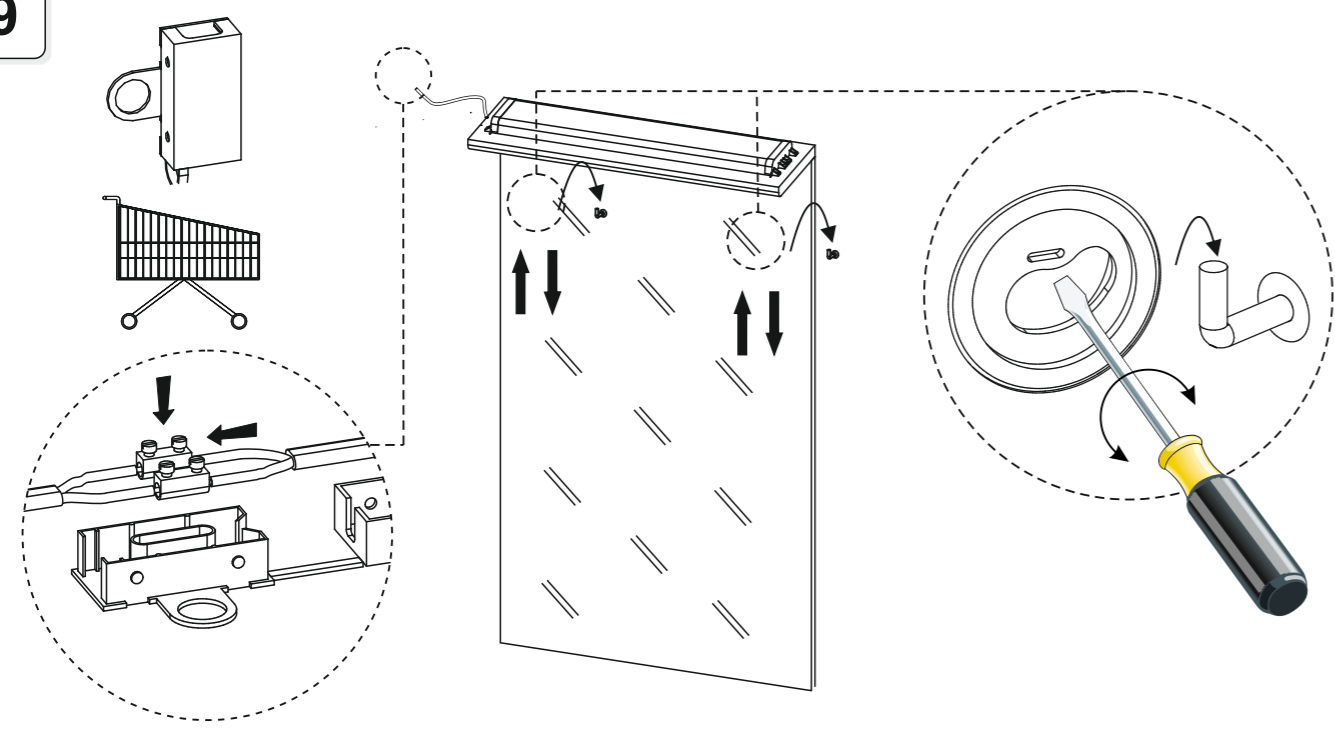
8



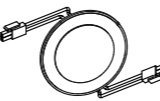

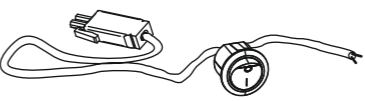

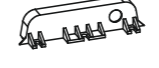
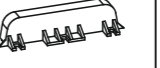


50

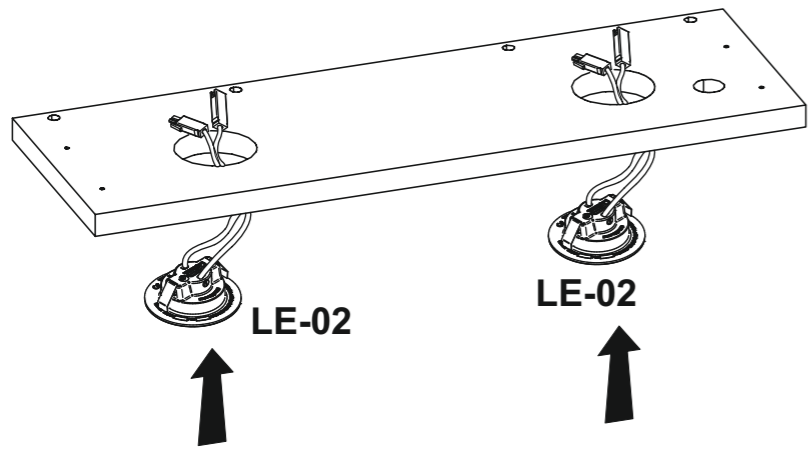


9

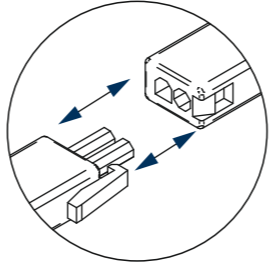
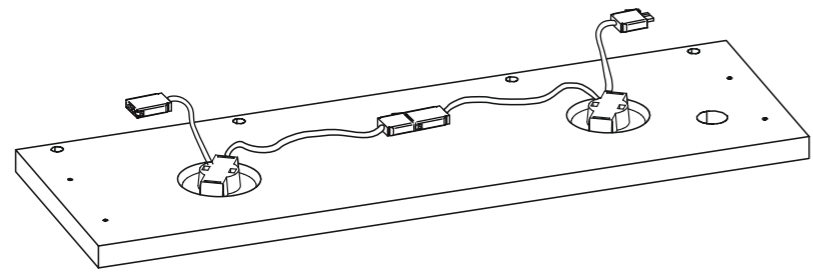


G1  x 4	M  x 1		
LE-02  x 2	I2  UP3x12 x 4	LEPW  x 1	
DK-03  x 1	DKZ-01  x 1	DKZ-02  x 1	

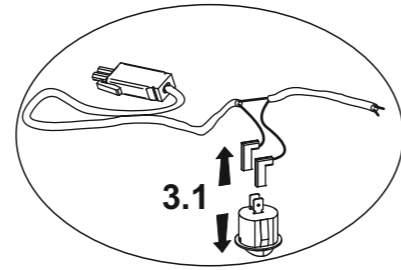
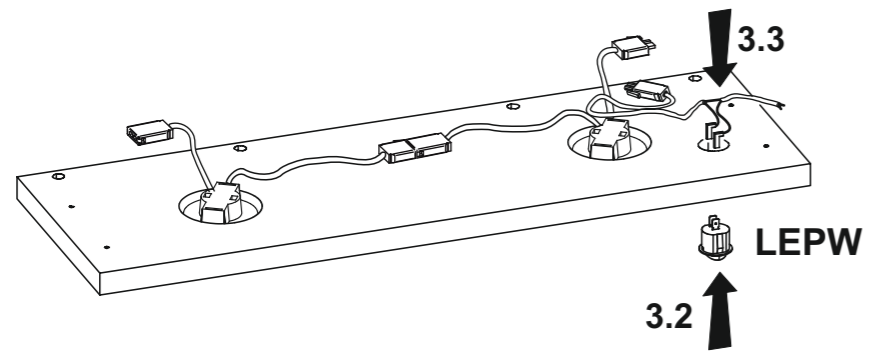
1



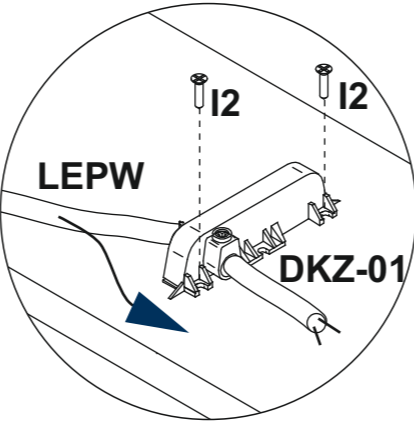
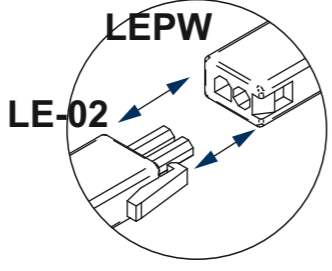
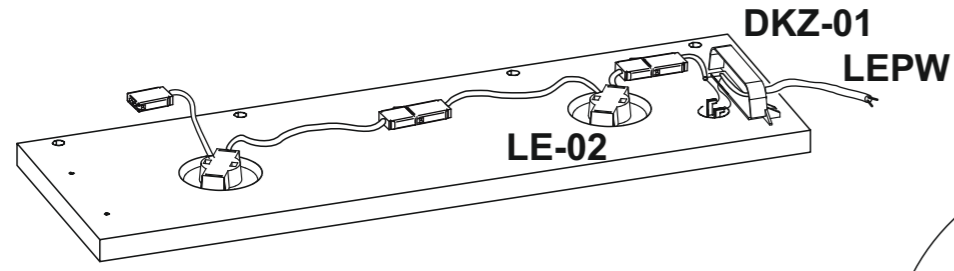
2



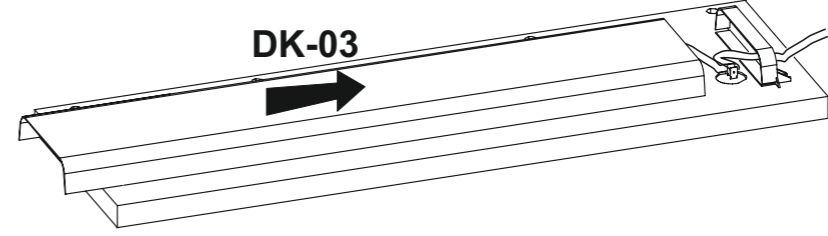
3



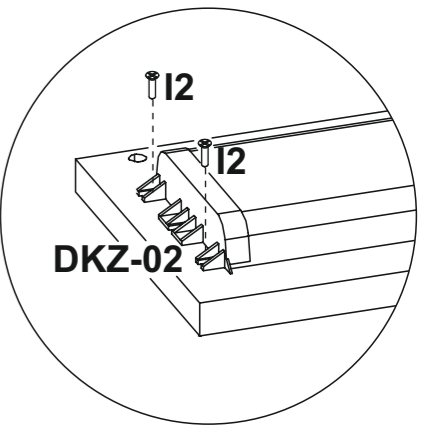
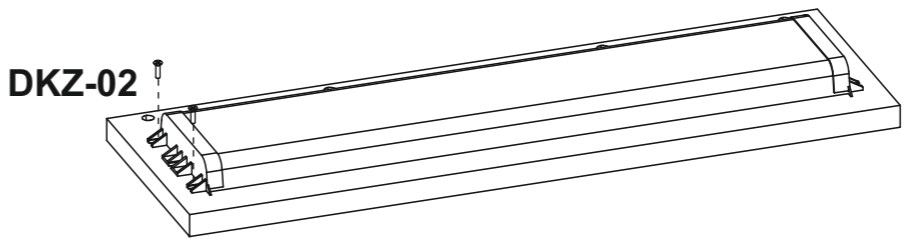
4



5



6



7

